



BLUETTI



CHARGER 1

IB-CHAR-BT-N

Potencia disponible donde sea que vayas



☑ Accesorio compatible con todos los equipos Bluetti



560W Max.

6X

BLUETTI CHARGER 1

Alternator Charger

Efficient to charge your power station on the road.



Compatible with Most
BLUETTI Power Stations



Protects your car battery from overvoltage,
undervoltage, and other potential damages.

Features & Protections



Battery Drain Protection



Overcharge Protection



Active Fan Cooling



Works with 12V / 24V Car Battery

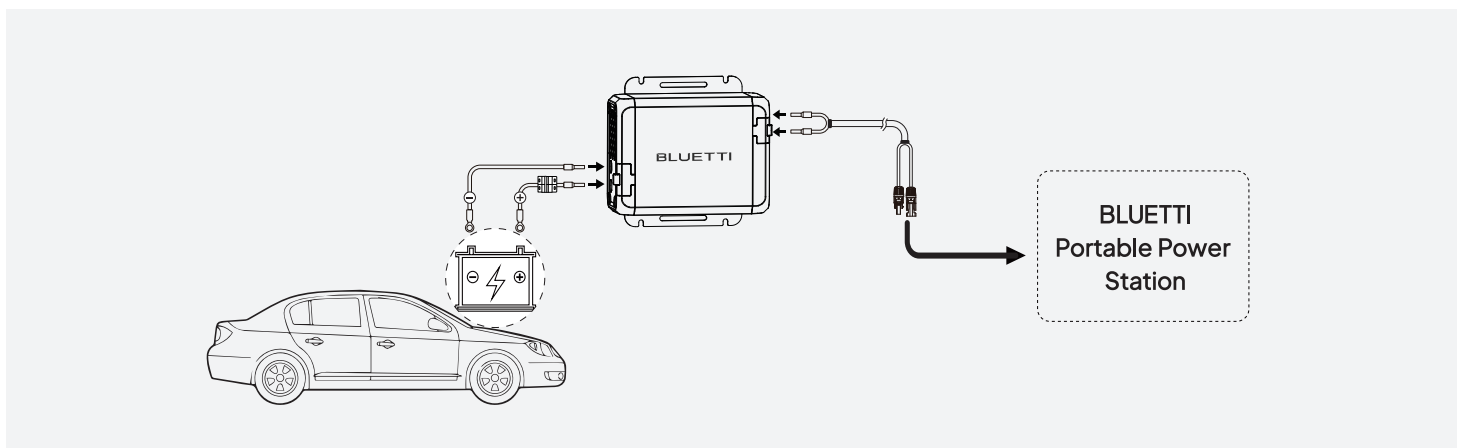


Compatible with 99% power stations on the market.



Control & Monitor via BLUETTI APP

How To Wire Up The Charger 1



Specifications

Model	CHARGER 1
Weight	Approx. 1.2kg / 2.645lbs
Dimensions (L x W x H)	145mm x 110mm x 60mm 5.71in x 4.33in x 2.36in
Working Temperature	-20°C to 60°C / -4°F to 140°F
Working Humidity	10% to 90%
Storage Temperature	-20°C to 60°C / -4°F to 140°F
Storage Humidity	0% to 90%
Noise	50dB Max.

Working Altitude	<2,000m / 6,561ft
Protection Rating	IP20
DC Input	12V, 50A Max. (with 12V battery)
	24V, 25A Max. (with 24V battery)
Default Voltage	27V
Voltage Range (with 12V battery)	15V to 56V (adjustable via APP)
Voltage Range (with 24V battery)	27V to 56V (adjustable via APP)
Current	10A
Power	560W

*Specifications are subject to change without further notice.



Contact Us